

# User Guide

PLEASE READ & SAVE THESE ORIGINAL INSTRUCTIONS

## Image Spot<sup>®</sup> Mini

This guide applies to the following Rosco Image Spot Mini models:

296200030651	Image Spot Mini 3000K - IP65 - w/o Lens - Black
296200030652	Image Spot Mini 3000K - IP65 - w/o Lens - White
296200055651	Image Spot Mini 5500K - IP65 - w/o Lens - Black
296200055652	Image Spot Mini 5500K - IP65 - w/o Lens - White
2962010T3001	Image Spot Mini 3000K - Track 0-10V/Triac - Black - No Lens
2962010T3002	Image Spot Mini 3000K - Track 0-10V/Triac - White - No Lens
2962010T3003	Image Spot Mini 3000K - Track DMX - Black - No Lens
2962010T3004	Image Spot Mini 3000K - Track DMX - White - No Lens
2962010T5501	Image Spot Mini 5500K - Track 0-10V/Triac - Black - No Lens
2962010T5502	Image Spot Mini 5500K - Track 0-10V/Triac - White - No Lens
2962010T5503	Image Spot Mini 5500K - Track DMX - Black - No Lens
2962010T5504	Image Spot Mini 5500K - Track DMX - White - No Lens
2962000UV651	Image Spot Mini UV - IP65 - w/o Lens - Black
296210000010	Image Spot Mini 0-10V/Triac Driver 15W
296210000DMX	Image Spot Mini DMX Driver 36W





## TABLE OF CONTENTS

Introduction.....	4
Important Safeguards.....	4
Unpacking.....	7
Installing Lens Tube.....	8
Mounting.....	8
Wiring.....	9
Dimming Control.....	12
Focusing.....	12
Gobo Projection.....	13
Dichroic Color Filters.....	14
Accessories.....	15
Ordering Gobos & Permacolor Filters.....	16
Technical Specifications.....	18
Warranty.....	20

*Information and specifications in this document are subject to change without notice.  
Rosco assumes no responsibility or liability for any errors or inaccuracies that may appear in this manual.*

## INTRODUCTION

Congratulations on your purchase of a Rosco Image Spot Mini projector. Designed to provide crystal-clear imaging and spot illumination, the Image Spot Mini is quick and easy to set up with convenient on-board dimming or remote controls.

To ensure efficient and safe operation, please take a few moments to read this manual completely.

## IMPORTANT SAFEGUARDS

The symbols below are used throughout this manual to identify important safety information. Heed all warnings and safety information.



**Warning, Danger or Caution**  
Risk of Personal Injury



**Risk of Electric Shock**  
Risk of severe electric shock



## PREVENTING ELECTRIC SHOCK

- This system uses mains drivers that connect to electrical power at 100-277VAC. When directly contacted, such voltages are hazardous to human life. Follow all local electrical codes and take precautions when using this product.
- Use only extension cords that are of appropriate length and are rated for Image Spot Mini's specified voltage and current. If an extension cord shows signs of wear or gets warm to the touch, discontinue its use and obtain a cord with a higher current rating. Improper extension cords are hazardous and may result in poor performance due to excessive voltage drop.
- Disconnect unit from power source before servicing and when not in use.



## MAINTAINING SAFE OPERATION

- Do not look directly into the Image Spot Mini projector. Prolonged exposure to the light beam can cause damage to eyesight.
- Use only Rosco spare parts and accessories so as to not void the product warranty.
- The Image Spot Mini's surface temperature can approach 150°F (65°C) during operation. Keep minimum 4 inches (10cm) distance away from flammable materials / objects. Contact with the fixture during, or immediately following, operation may result in burns.
- Allow the unit to cool before attempting to service.
- Rosco Image Spot Mini must only be serviced by a qualified technician.
- Rosco Image Spot Mini is not certified for use in hazardous locations.
- Rosco Image Spot Mini is designed for operation within the range of -4° to 122°F (-25° to +50°C).
- Ensure Rosco Image Spot Mini is stored within the range of -13° to 140°F (-25° to +60°C).

**WARNING:** Do not look directly into the UV light during operation. Eye and skin exposure to UV light can cause severe damage to humans and animals. Take every precaution to limit exposure to UV light (including the use of UV-blocking eye protection).

## UNPACKING

Carefully remove the unit from the box.

Do not attempt to operate Rosco Image Spot Mini projector if there are any signs of physical damage. In case of damage, contact your local Rosco dealer.

Your Rosco Image Spot Mini projector requires that an Image Spot Mini focusing lens tube (purchased separately) be inserted into the opening on the front of the unit prior to operation.

Three lens options are available, providing Narrow, Medium and Wide beam angles. The size of the image or the beam angle can be adjusted by replacing the lens tube with an alternate size:

Item No296220000111	Image Spot Mini Narrow Angle Lens Optic/ 11° - Black
Item No296220000171	Image Spot Mini Medium Angle Lens Optic/ 17° - Black
Item No296220000251	Image Spot Mini Wide Angle Lens Optic/ 25° - Black
Item No296220000112	Image Spot Mini Narrow Angle Lens Optic/ 11° - Silver
Item No296220000172	Image Spot Mini Medium Angle Lens Optic/ 17° - Silver
Item No296220000252	Image Spot Mini Wide Angle Lens Optic/ 25° - Silver

## INSTALLING LENS TUBE

Gently insert the end of the lens tube into the opening on the front of the projector. Rotate several turns to engage the threads. Once the projector has received power, the lens tube can be further rotated to adjust the focus of the projected image.



## MOUNTING

The Image Spot Mini projector can be installed in the desired location via the center hole in the yoke. Adjust and fix the tilt of the projector via the hex screw on the side of the yoke.



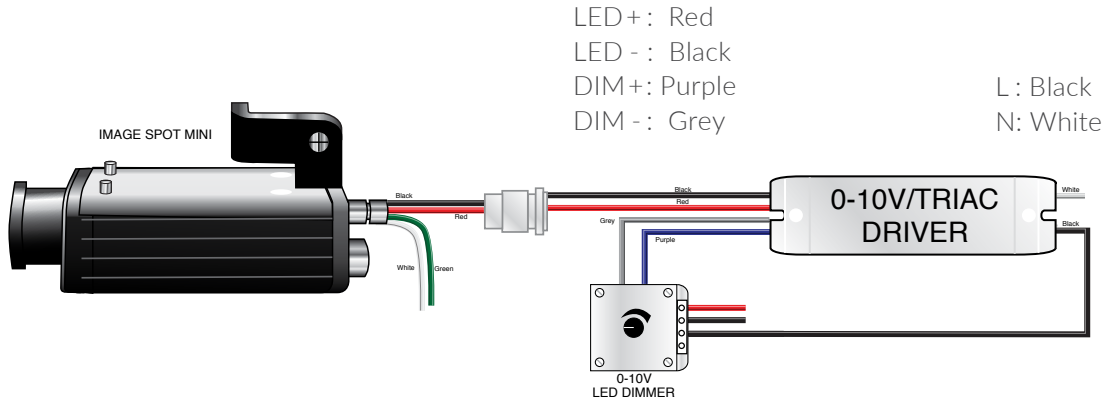


## WIRING (Non Track Version)

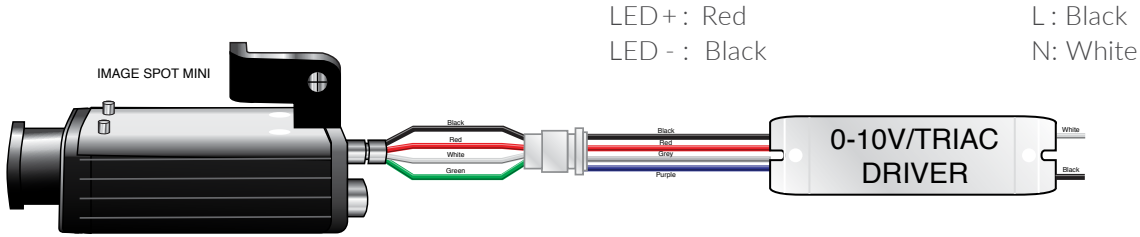
Your Rosco Image Spot Mini projector will arrive with an unterminated power cord attached to the unit. Wiring to a Rosco-supplied driver and the driver to line voltage should be performed by a qualified electrician and is the responsibility of the installer or end user.

Connect the AC Mains power supply, Control signal leads (0-10V DC, Triac or DMX) and lead wires from the Image Spot Mini projector to the selected driver as follows:

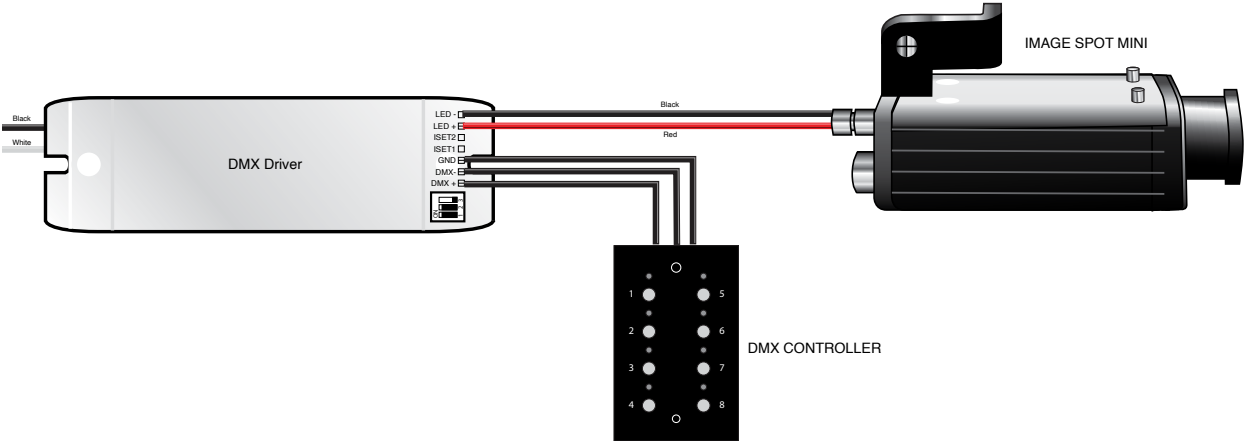
### Image Spot Mini Wiring For 0-10V LED Dimmer



### Image Spot Mini Wiring For On-Board Dimmer



### Image Spot Mini Wiring For DMX Controller



The current will be preset on the LTech DMX driver to 1050mA:

DMX-36-200-1200-U1P1	DIP Switch	⬇ ⬇ ⬇	⬇ ⬇ ⬆	⬇ ⬆ ⬇	⬇ ⬆ ⬆	⬆ ⬇ ⬇	⬆ ⬇ ⬆	⬆ ⬆ ⬇	⬆ ⬆ ⬆	⬆ ⬇ ON OFF
	Output Current	200mA	350mA	500mA	600mA	700mA	900mA	1050mA	1200mA	
	Output Voltage	10-54V	10-54V	10-54V	10-54V	10-52V	10-40V	10-35V	10-30V	
	Output Power	2W-10.8W	3.5W-18.9W	5W-27W	6W-32.4W	7W-36.4W	9W-36W	10.5W-36.75W	12W-36W	

**Note:** the suggested current is 1050mA, any variation may result in under performance or a shortened LED life cycle, and may void warranty.

Ensure the correct power connections have been made to the Image Spot Mini projector. The fixture will immediately illuminate upon receiving power and a valid control signal.

## DIMMING CONTROL

The Rosco Image Spot Mini projector offers two modes of control: Manual dimming operation or user-supplied 0-10V, Triac or DMX512 data input.

In Manual mode the Image Spot Mini's beam intensity can be adjusted via the dimming knob on the rear panel. Turn the knob clockwise for brighter output and counter-clockwise for dimmer output.

When using 0-10V, Triac or DMX dimming controls, ensure that the proper Image Spot Mini driver has been ordered and that the proper lead wire connections have been made (see diagrams on page 9).

DMX control requires that a DMX address be established for each projector. **A single channel is required for output intensity control via DMX.** RDM protocol can be used to change the DMX address from the factory default 001. The controller supports DMX512 bi-directional communication.



## FOCUSING

The focus can be adjusted by rotating the lens tube clockwise or counter-clockwise.

Due to the ultra-clear optics of the Image Spot Mini projector, it is advised to keep the optic path clean of dust and debris. Use a non-abrasive micro-fiber cloth with Rosco Lens Cleaner to clean the Image Spot Mini lenses and any glass gobos or Permacolor dichroic glass filters you may have installed.

## GOBO PROJECTION

Prior to operating the Image Spot Mini projector insert an Image Spot Mini gobo into the gobo cassette located on the underside of the fixture. Gobos with logos or other oriented graphics should be inserted upside down and backwards for proper projection.

Check to ensure the gobos are free of dust, fingerprints and other residue prior to inserting the cassette into the accessory slot.

Be sure to tighten the thumb screws on the gobo cassette after re-inserting to maintain protection from dust and moisture. A flat tipped screw driver can be used for additional torque to tighten the thumb screws.

For optimum image quality, use Rosco Image Spot Mini gobos, which feature custom bezels that fit securely inside the Image Spot Mini gobo cassette.



***To avoid possible ingress of dirt and moisture when changing gobos, orient the Image Spot Mini projector with the gobo cassette on the underside of the unit whenever possible.***

## DICHROIC COLOR FILTERS

Rosco Permacolor dichroic filters are available to provide fully customizable, long-term color options for your Image Spot Mini. For optimal performance and installation, specify Image Spot Mini Permacolor Filters that feature custom bezels to fit securely inside the Image Spot Mini gobo cassette.

Install the Image Spot Mini Permacolor Filter into the gobo cassette. The gobo cassette is deep enough to accept both an Image Spot Mini Gobo and an Image Spot Mini Permacolor Filter. It is recommended that the Permacolor Filter be installed on the “lamp-side” of the two. When properly installed, the order should be lamp -> Image Spot Mini Permacolor Filter -> Image Spot Mini Gobo -> Lens Tube.



## ACCESSORIES

<b>Item Number</b>	<b>Description</b>
296210000010	Image Spot Mini 0-10V/Triac Driver 15W
296210000DMX	Image Spot Mini DMX Driver 36W
296220000111	Image Spot Mini Narrow Angle Lens Optic / 11° - Black
296220000171	Image Spot Mini Medium Angle Lens Optic / 17° - Black
296220000251	Image Spot Mini Wide Angle Lens Optic / 25° - Black
296220000112	Image Spot Mini Narrow Angle Lens Optic / 11° - Silver
296220000172	Image Spot Mini Medium Angle Lens Optic / 17° - Silver
296220000252	Image Spot Mini Wide Angle Lens Optic / 25° - Silver
855072020008	Rosco Lens Cleaner 8oz
855072040406	Lens Tissue - 4" X 6" Pad (100 Sheets)
296220000022	Image Spot Mini Cable Cover - Black
296220000023	Image Spot Mini Cable Cover - White
296210000006	Image Spot Mini Driver Enclosure IP65 - Black
296220000020	Image Spot Mini Iris Accessory - Black
296220000021	Image Spot Mini Iris Accessory - White
296220000010	Image Spot Mini Framing Shutter Accessory - Black
296220000011	Image Spot Mini Framing Shutter Accessory - White

## ORDERING GOBOS & PERMACOLOR FILTERS

Gobos and Permacolor Dichroic Filters for the Image Spot Mini projector can be easily ordered through any Rosco dealer. Visit [www.rosco.com](http://www.rosco.com) to locate the dealer nearest you and provide them with the information below.

### Standard Gobos

250XXXXX0999T      Image Spot Mini Standard Gobo, XXXXX = the five digit standard gobo number

### Custom Gobos

25072101MINI      Image Spot Mini Custom Steel Gobo 1st Original  
2507220CMINI      Image Spot Mini Custom Steel Copy  
260CUSBWMINI      Image Spot Mini Custom B&W Glass Gobo Original  
260CUSBCMIMI      Image Spot Mini Custom B&W Copy  
260CUS1CMINI      Image Spot Mini Custom One-Color Glass Gobo Original  
260CUS1CDMINI      Image Spot Mini Custom One-Color Copy  
260CUS2CMINI      Image Spot Mini Custom Two-Color Glass Gobo Original  
260CUS2CCMINI      Image Spot Mini Custom Two-Color Copy  
260CUS3CMINI      Image Spot Mini Custom 3 Color Glass Gobo Original  
260CUS3CCMINI      Image Spot Mini Custom 3 Color Copy  
260CUSMCMINI      Image Spot Mini Custom Multi-Color Glass Gobo Original  
260CUSMCCMINI      Image Spot Mini Custom Multi-Color Copy



## Permacolor Dichroic Filters

1203XXXXMINI      Image Spot Mini Permacolor Dichroic Glass Filter, XXXX = the four digit color  
(includes bezel)

For assistance ordering or specifying gobos or Permacolor filters for the Image Spot Mini, please contact our Gobo Customer Service Centers:

Americas	Toll Free in the US: 866-228-2256 Outside of the US: 512-388-5299	customgobo@rosco.com
EMEA	+44 (0)20 8659 2300	salesadmin@rosco.com

# TECHNICAL SPECIFICATIONS

## Luminaire

Input Voltage:	14Vdc, 1050mA
Maximum Power Consumption:	14 Watts at maximum output
Output:	650 lm (3000k) 1050 lm (5500k) 2,250 mW (UV)

## Drivers

Protocol:	Mains Dim / 0-10V / Non-dim / DMX RDM
Input Voltage:	100-277VAC (Triac control is 120 VAC compatible)
Output:	8-14Vdc
Power Consumption:	14.7W @ 1050mA
Class:	2

## LED's:

3000K / 98+ CRI or 5500K / 75+ CRI
LM79-08 Lumen Maintenance: 90,000 hours @ 50°C (LM80)
UV (365nm peak wavelength with custom dichroic filter)
LM79-08 Lumen Maintenance: 20,000 hours @ 25°C

<b>Power/Data Connection:</b>	2m (6-ft) Insulated Cable/Gland (IP65), unterminated
<b>Operating Temp.:</b>	-13° F to 122° F (-25° C to 50° C)
<b>Dimensions:</b>	4.7 in x 3.4 in x 1.9 in (119 mm x 84.2 mm x 48 mm) excluding yoke 5.17 in x 3.5 in x 9.57 in (131.2 mm x 89 mm x 243 mm) including pendant
<b>Weight:</b>	2.2 lbs (1.0 kg) – Yoke version 4.0 lbs (1.81 kg) – Pendant Track Mount version
<b>Housing:</b>	Anodized Aluminum Extrusion
<b>Approvals:</b>	ETL / UL Standard 2018 Low Voltage Lighting Systems ETL / UL Standard 1574 Track Lighting Systems ETL / CSA Standard C22.2 #250 Luminaires ETL / CSA Standard C22.2 #250.570 Track Lighting CE
<b>Ratings:</b>	IP65/Damp Environments
<b>Environmental:</b>	Disposal of Old Electrical & Electronic Equipment



This symbol on the product or on its packaging indicates that this product shall not be treated as household waste.

## 3-YEAR LIMITED WARRANTY

Rosco Laboratories warrants to the first retail purchaser that this Product will be free from defects in workmanship and material for a period of three years from the date of original purchase.

For warranty service you must be able to provide proof of purchase. Should this Product prove defective during the warranty period, please contact your local Rosco office for Return Authorization. No warranty service will be performed without Return Authorization.

At Rosco's sole discretion, covered Products will be repaired or replaced with new or refurbished equipment or a model of like kind and quality. Exchanged or replaced parts and Products assume the remaining warranty period of the original product covered by this limited warranty. You are responsible for securely packaging the defective Product and returning it to Rosco as per the instructions of the Return Authorization. Within North America, Rosco will ship the repaired or replaced Product to you freight prepaid. Shipments to other locations will be made freight collect.

This warranty is non-transferable and does not extend beyond the first retail purchase of the Product.

This warranty does not cover damage to the Rosco Product caused by parts not manufactured, distributed or certified by Rosco.

Rosco is not obligated to provide warranty service should the Product fail to be properly maintained or fail to function properly as a result of misuse, abuse, improper installation, neglect, improper shipping, damage caused by disasters such as flood, fire and lightning, improper electrical current or unauthorized service repairs other than those by a Rosco Authorized Servicer.

If a claimed defect cannot be identified or reproduced, you will be held responsible for the costs incurred. Unless otherwise stipulated by state law, all warranties expressed or implied are limited to the three (3) year period of this warranty.

THE WARRANTY AND REMEDY PROVIDED ABOVE ARE EXCLUSIVE AND IN LIEU OF ALL OTHER EXPRESS OR IMPLIED WARRANTIES INCLUDING BUT NOT LIMITED TO THE IMPLIED WARRANTIES OF MERCHANTABILITY, NON-INFRINGEMENT OR FITNESS FOR A PARTICULAR PURPOSE. EXCEPT AS PROVIDED IN THIS WRITTEN WARRANTY AND UNLESS EXCLUSIONS ARE SPECIFICALLY FORBIDDEN BY STATE LAW, NEITHER ROSCO NOR ITS AFFILIATES WILL BE LIABLE FOR ANY LOSS, INCONVENIENCE, OR DAMAGE, INCLUDING DIRECT, SPECIAL, INCIDENTAL OR CONSEQUENTIAL DAMAGES, INCLUDING INJURY TO PERSONS OR PROPERTY, RESULTING FROM THE USE OR INABILITY TO USE THE ROSCO PRODUCT, WHETHER RESULTING FROM BREACH OF WARRANTY OR ANY OTHER LEGAL THEORY.

Go to [www.rosco.com/warranty](http://www.rosco.com/warranty) to register this product.



[www.rosco.com/imagespot-mini](http://www.rosco.com/imagespot-mini)



Intertek  
5007481

